

# SHAD

ENGINEERED FOR RIDING

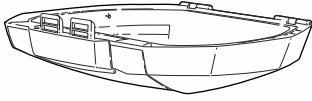


USER GUIDE

# SH38X / EXPANDABLE

[WWW.SHAD.ES](http://WWW.SHAD.ES)

## SPARE PARTS COMPONENTS



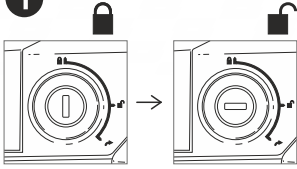
**1** 303048 x 1

## TOOLS NEEDED

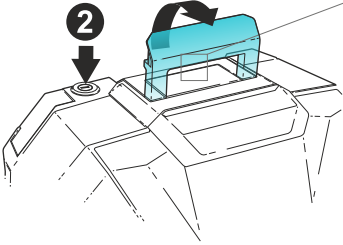
-  DRILL BIT 4mm
-  HINGE PIN 3mm
-  TORX T20

OPEN

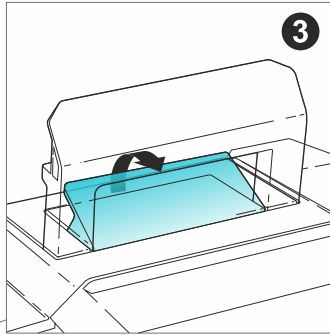
**1**



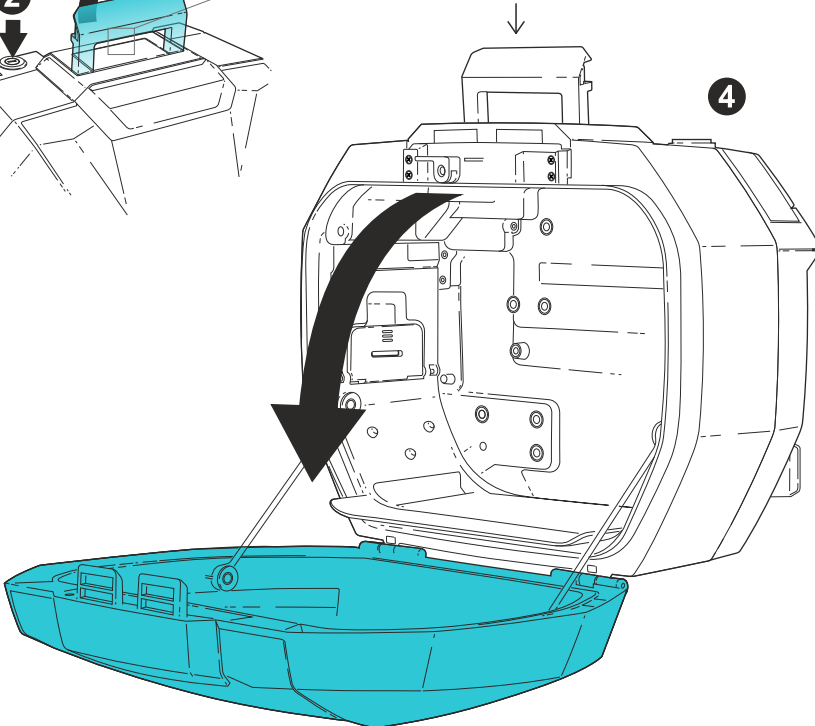
**2**



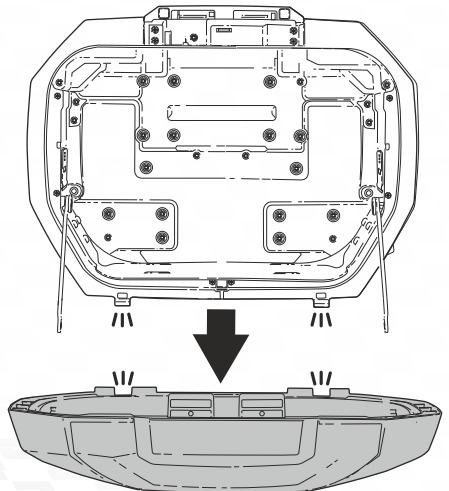
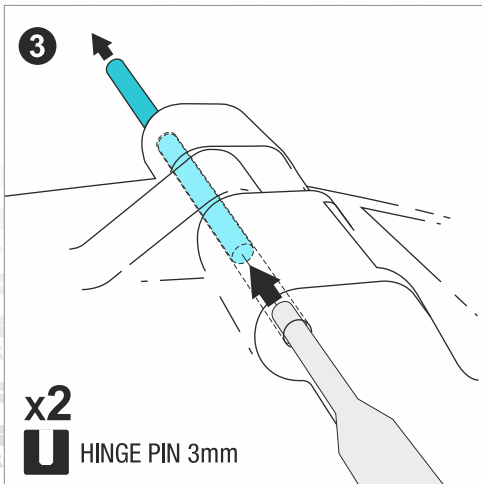
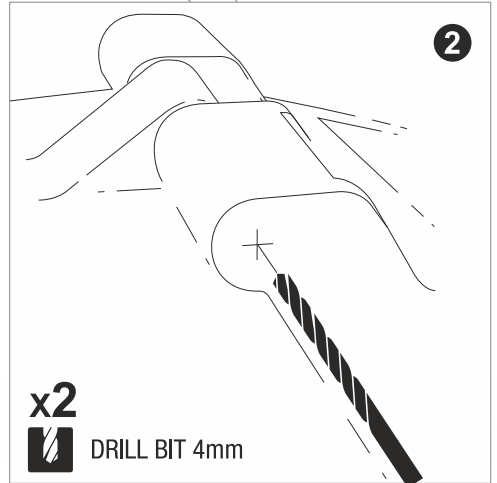
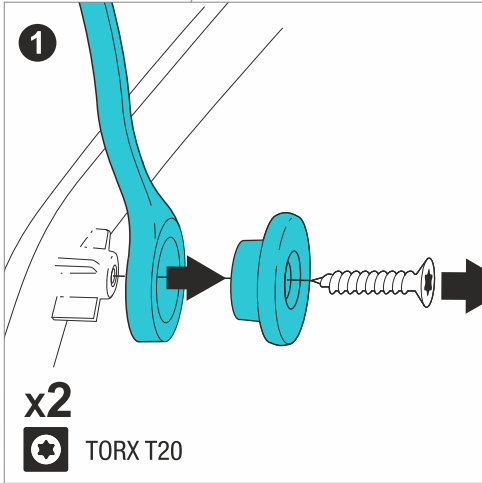
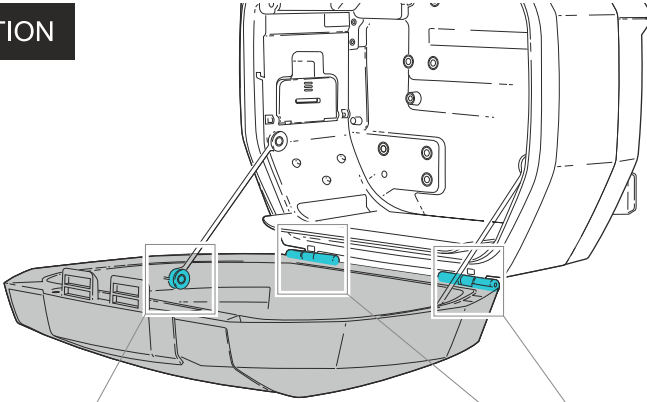
**3**



**4**



# EXTRACTION



CHANGE

