

SHAD

ENGINEERED FOR RIDING



USER GUIDE

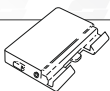
SH38X / EXPANDABLE

WWW.SHAD.ES

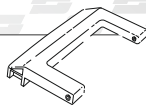
SPARE PARTS COMPONENTS



1 303048 x 1



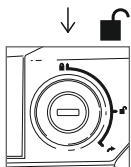
2 204138 x 1



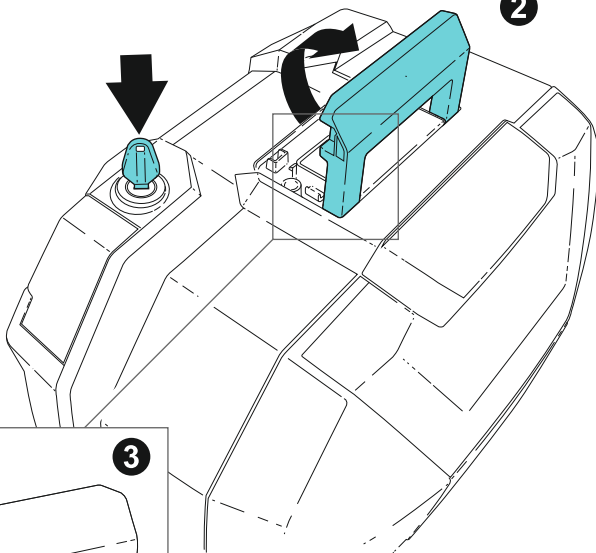
3 204137 x 1

OPEN

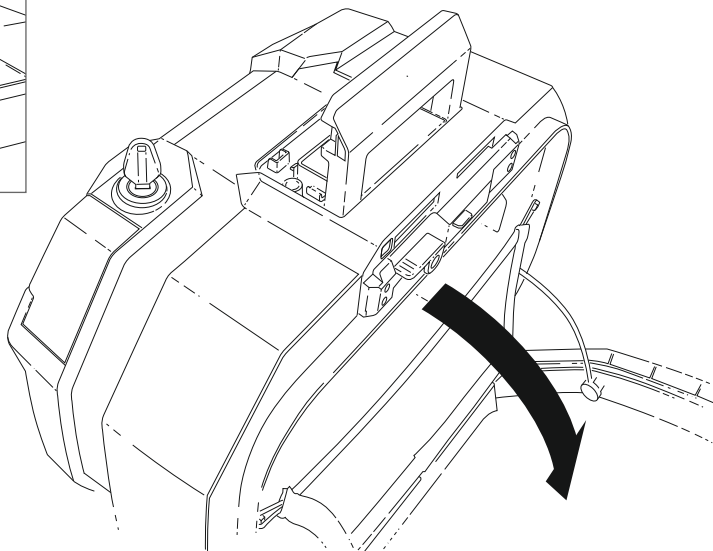
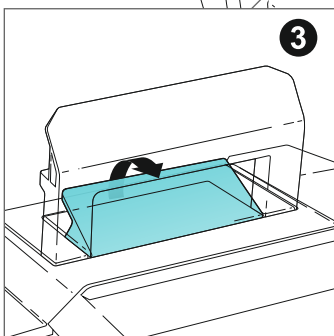
1



2

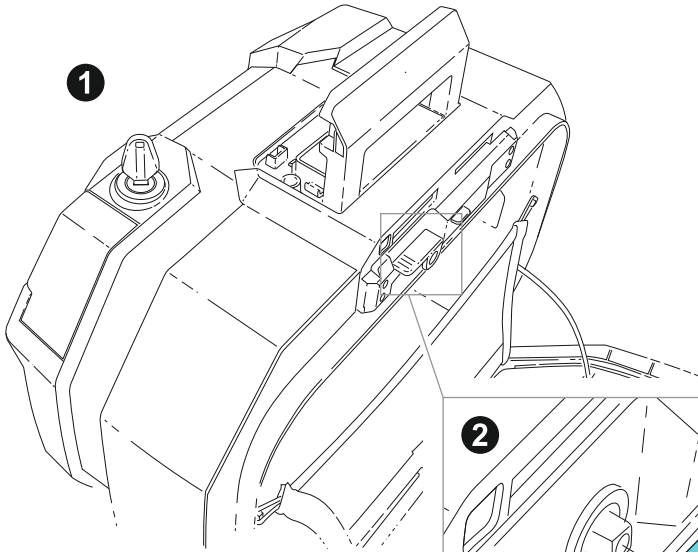


3

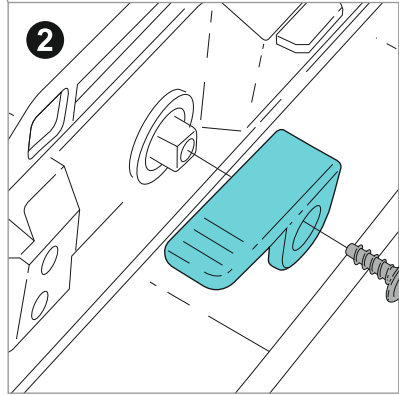


REMOVE

1

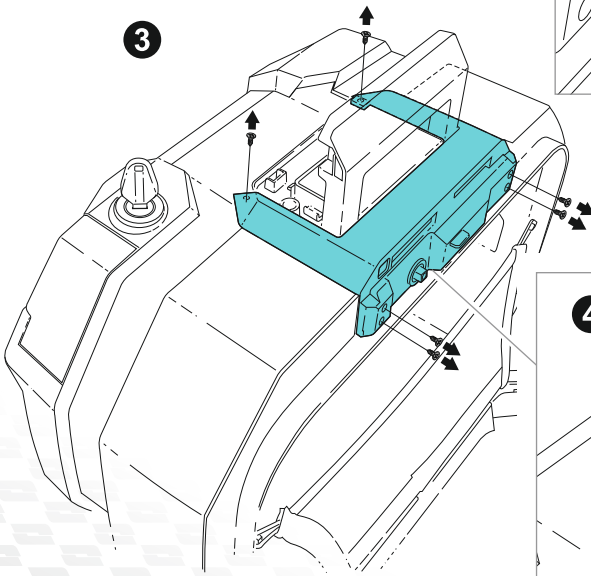


2



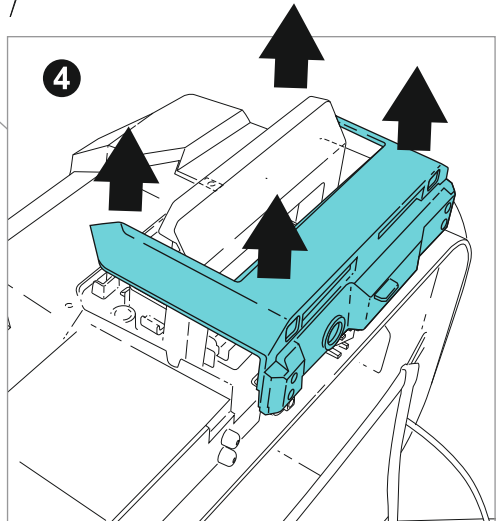
T20

3



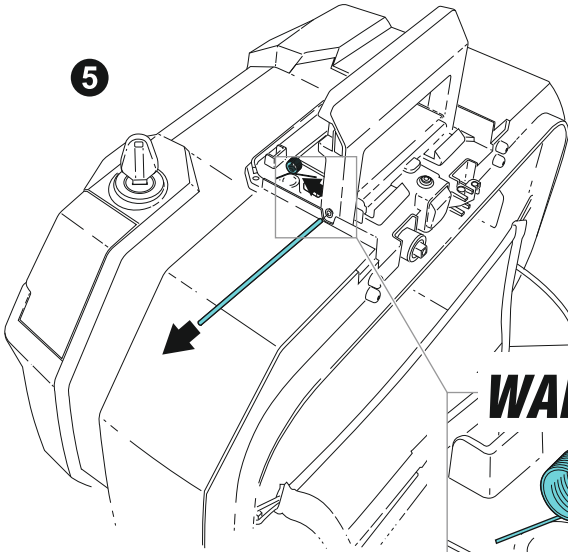
PH2

4

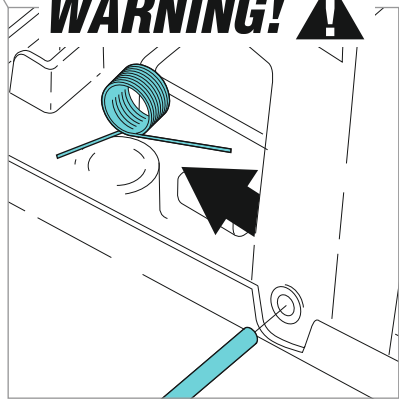


REMOVE

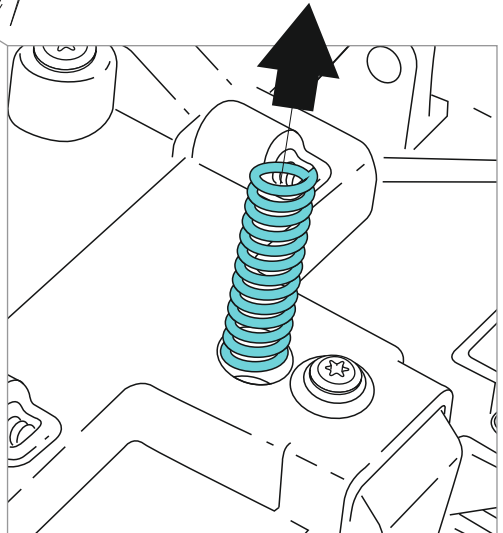
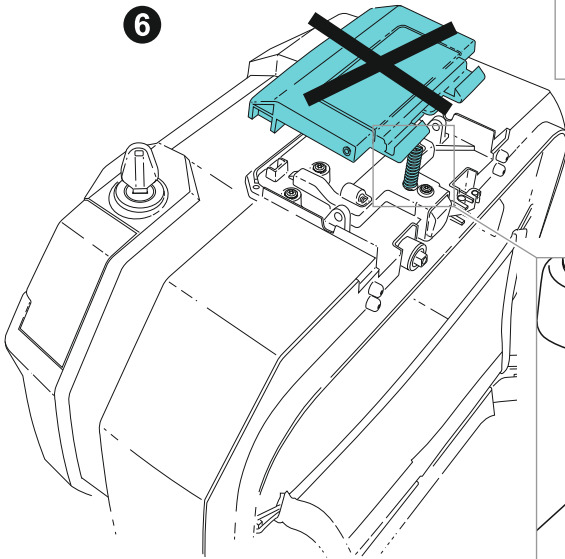
5



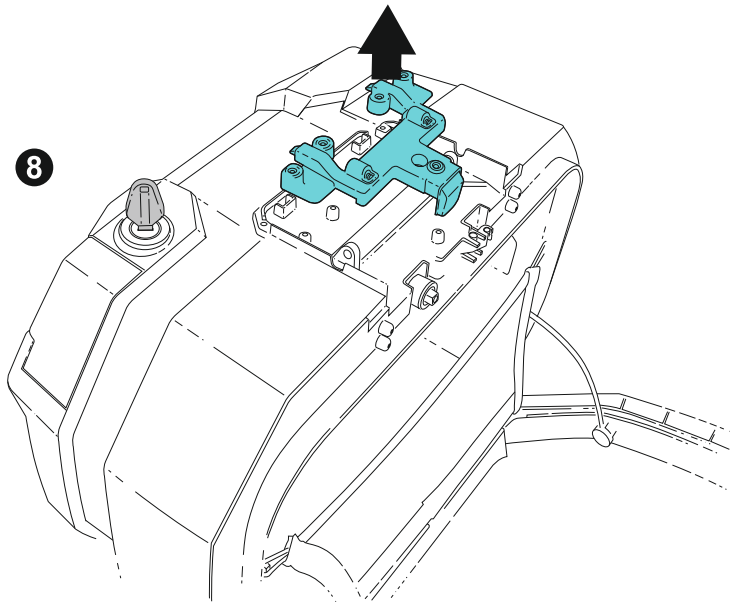
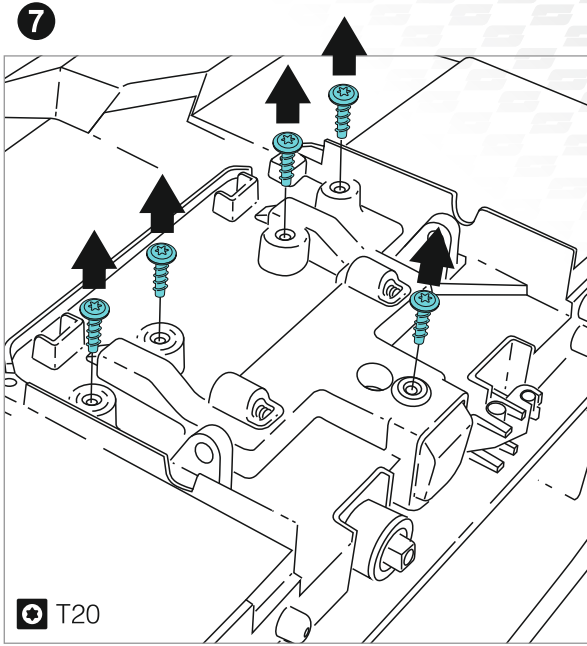
WARNING! 



6

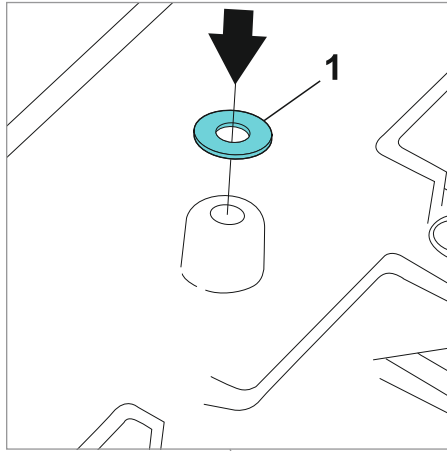


REMOVE

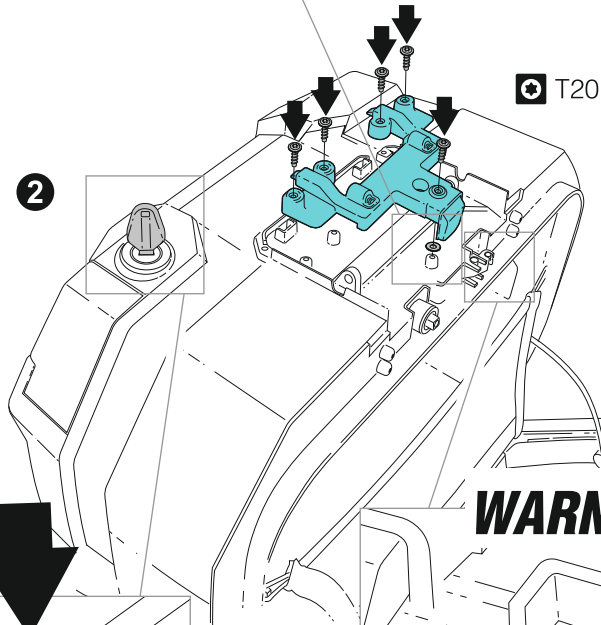


INSTALLATION

1



2



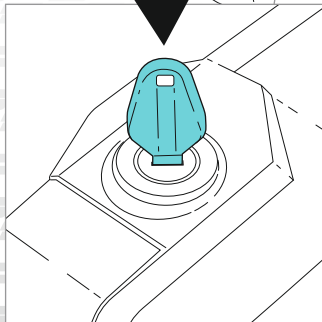
T20

3

WARNING! 

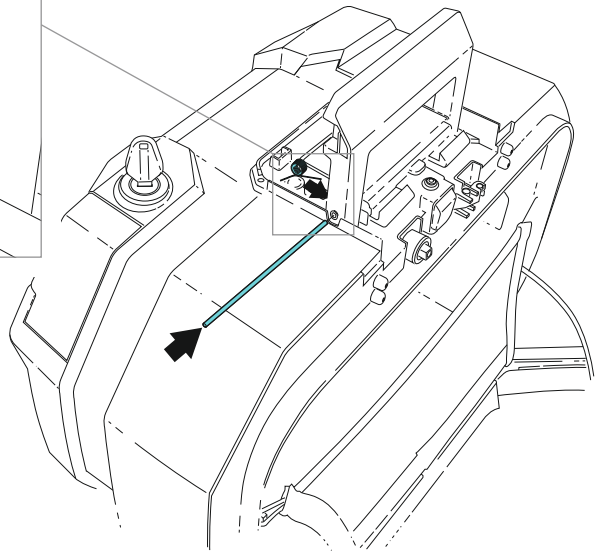
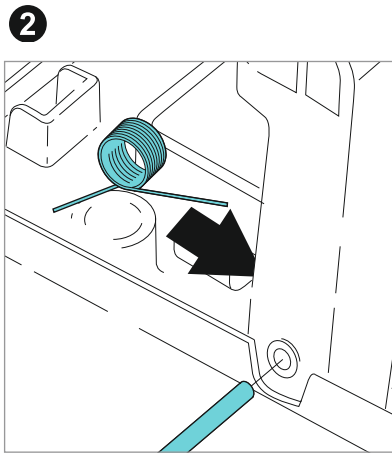
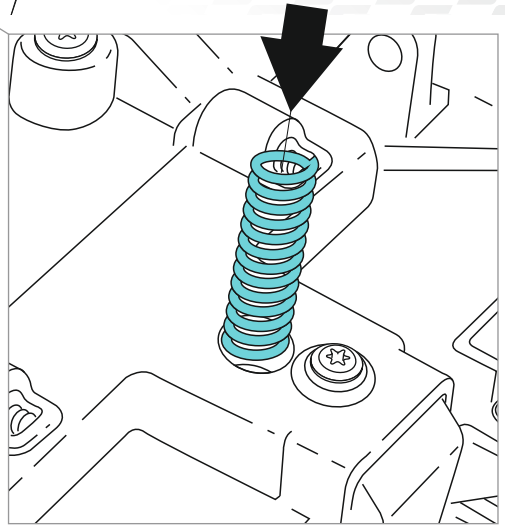
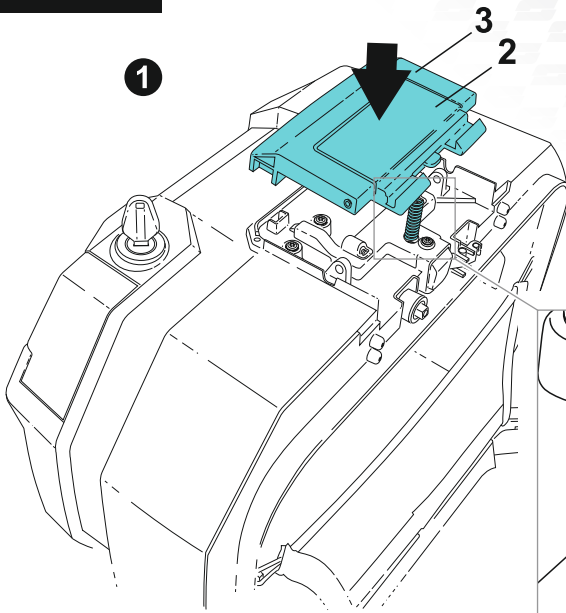


4

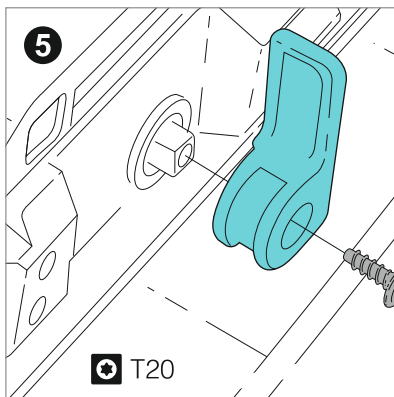
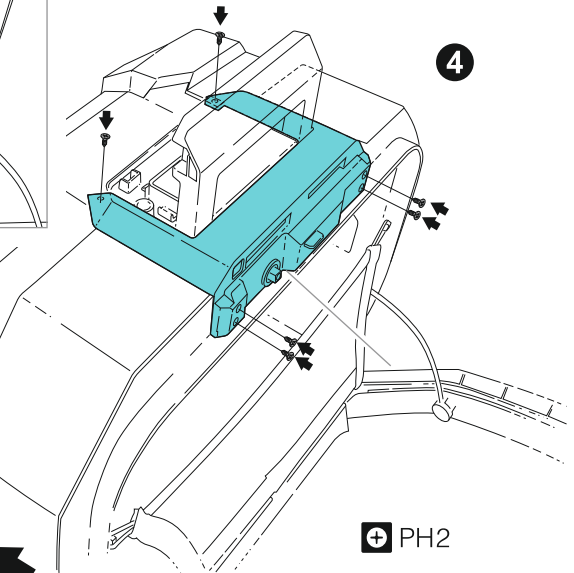
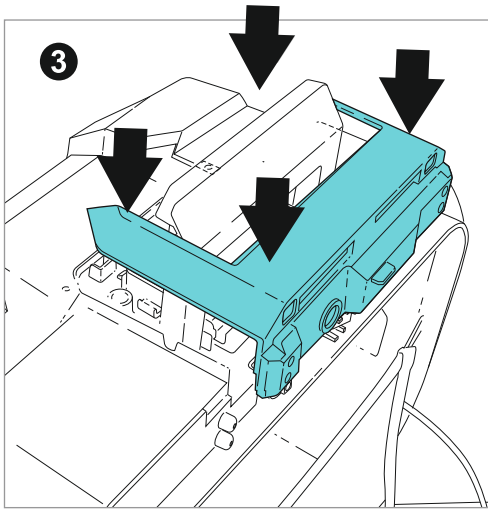


CHECK

ASSEMBLY



ASSEMBLY



WARNING! ⚠

